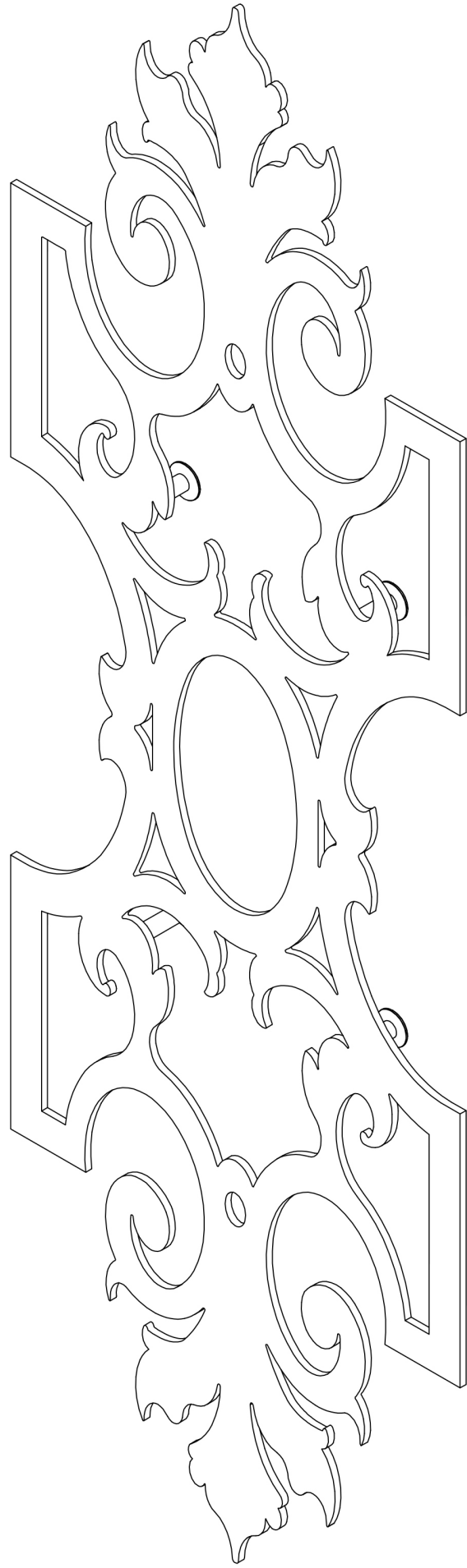
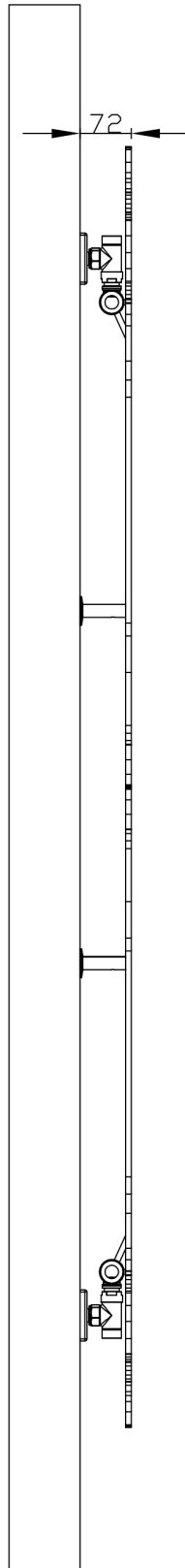
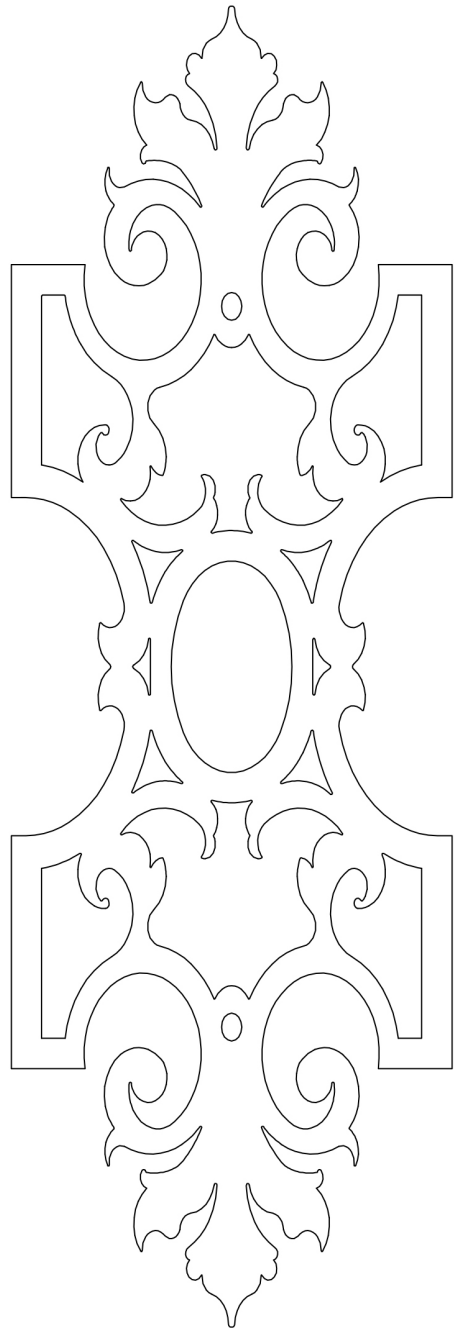


HOTECH DESIGN

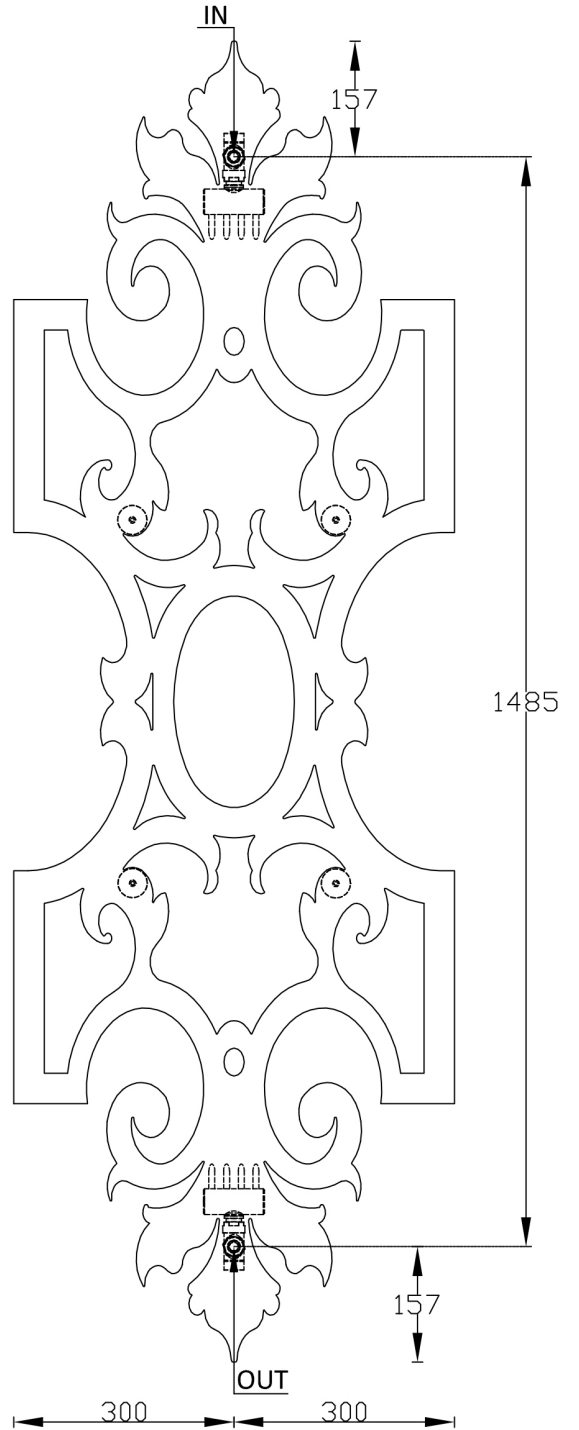
ROMANOV





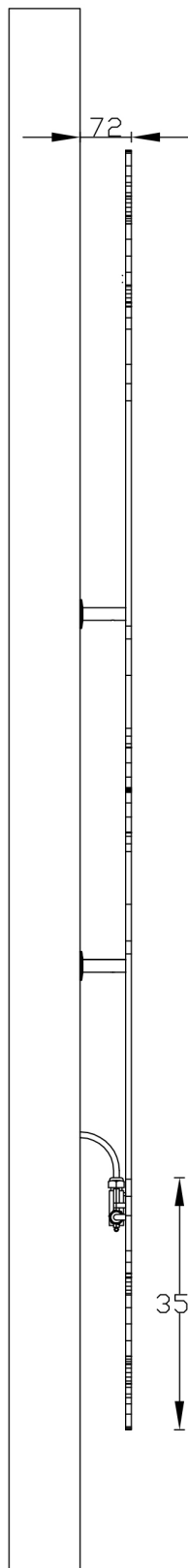
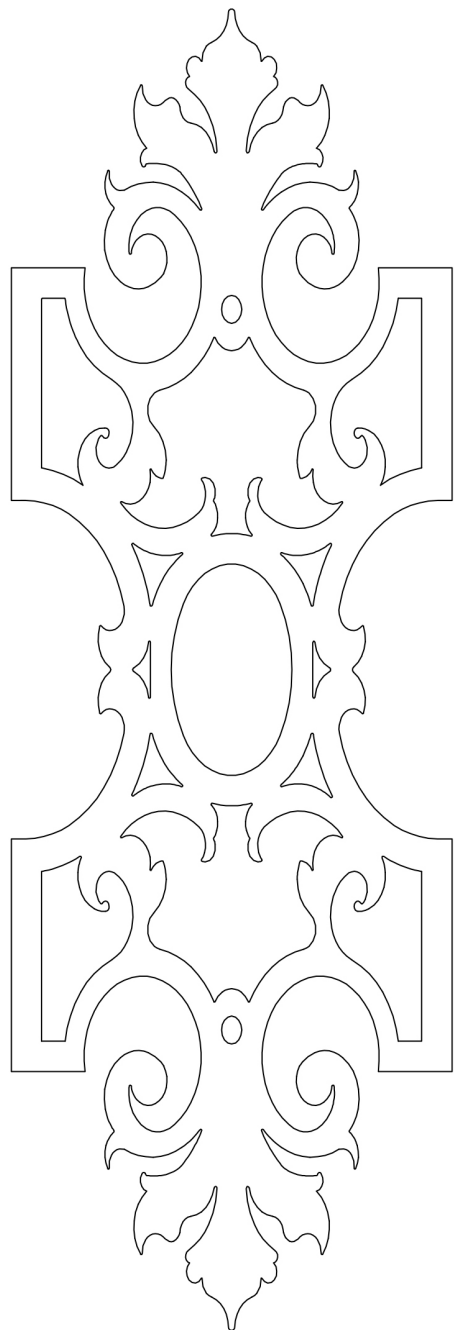


Vista frontale - Front view - Vue de face

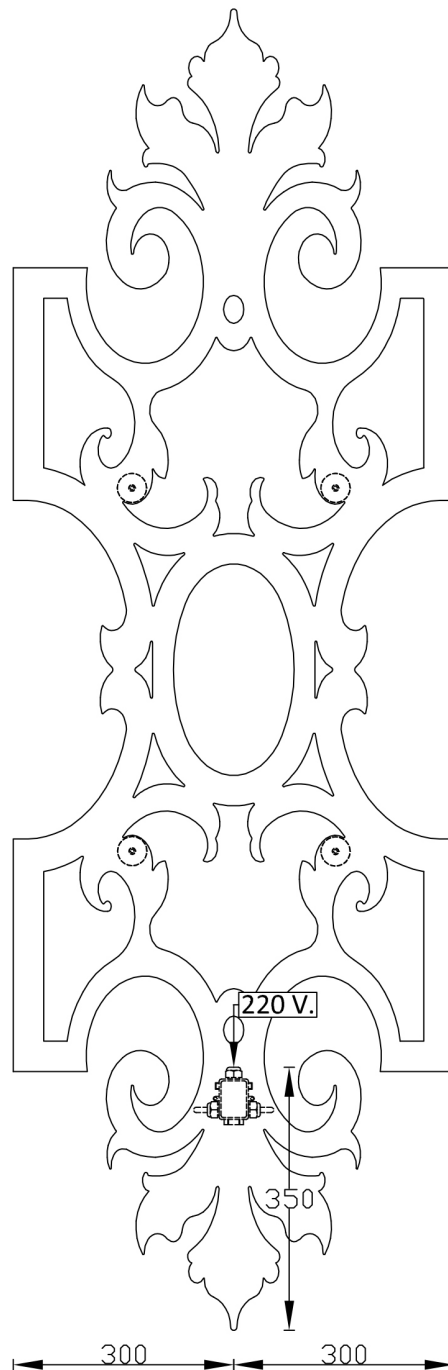


VERSIONE IDRAULICA - HYDRAULIC VERSION - VERSION HYDRAULIQUE

Altezza mm. Heigt mm. Heuteur mm.	Larghezza mm. Width mm. Largeur mm.	Potenza Watt ΔT 50° Power Watt ΔT 50° Puissance Watt ΔT 50°	Contenuto H2O Contents H2O Contenu H2O	Peso Weight Poids
1800	600	420	0.6	10



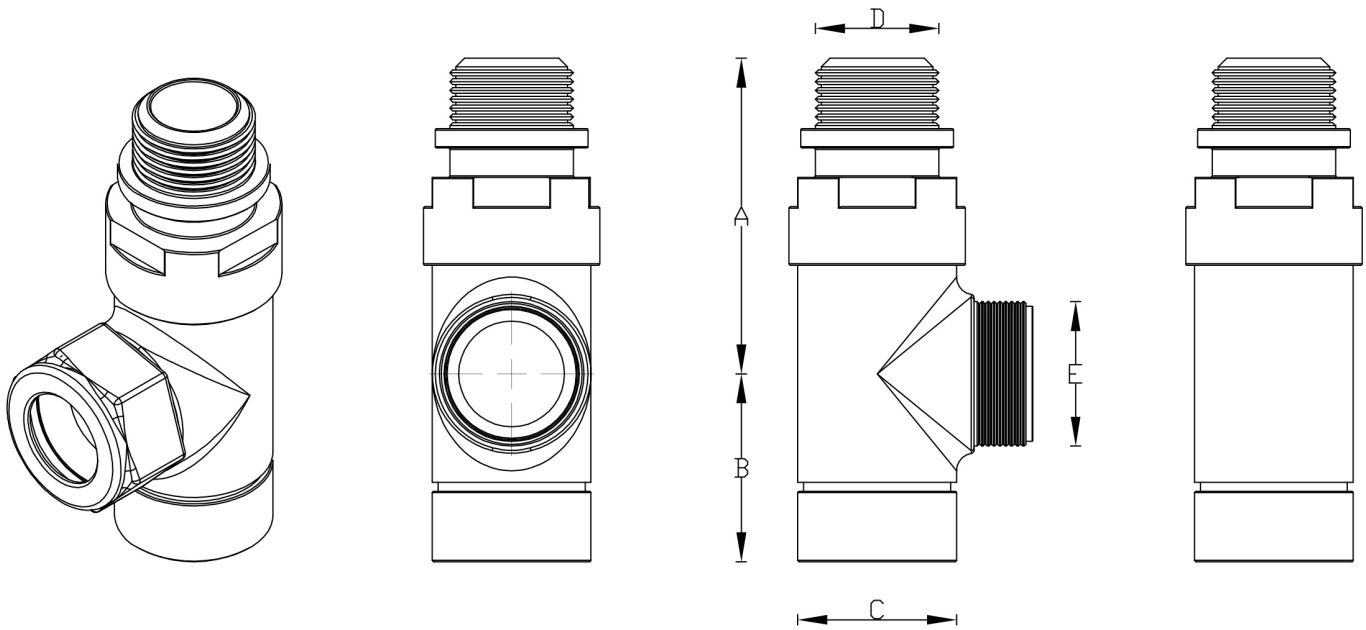
Vista frontale - Front view - Vue de face



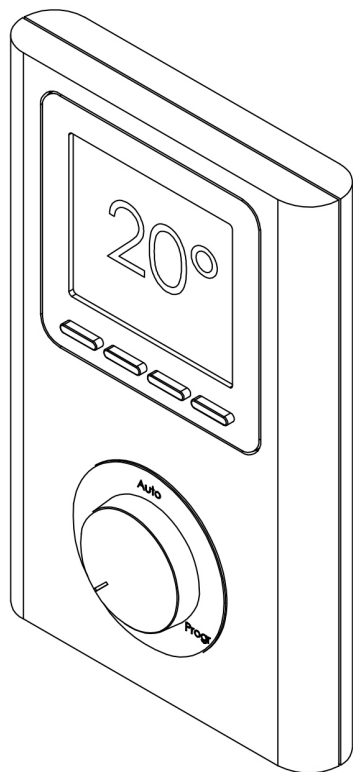
VERSIONE ELETTRICA - ELECTRIC VERSION - VERSION ELECTRIQUE

Altezza mm. Heigt mm. Heuteur mm.	Larghezza mm. Width mm. Largeur mm.	Potenza Watt Power Watt Puissance Watt	Peso Weight Poids
1800	600	420	9

KIT VALVOLE - VALVE SET - KIT DE SOUPAPES



D	A	B	C	E
1/2"	41	32	26	24X19



- Cronotermostato wifi per radiatori elettrici (optional)
- Wifi thermostat for electric radiators (optional)
- Thermostat wifi pour radiateurs électriques (optional)

PREDISPOSIZIONE - PRE ARRANGIAMENT - PRÉDISPOSITION

